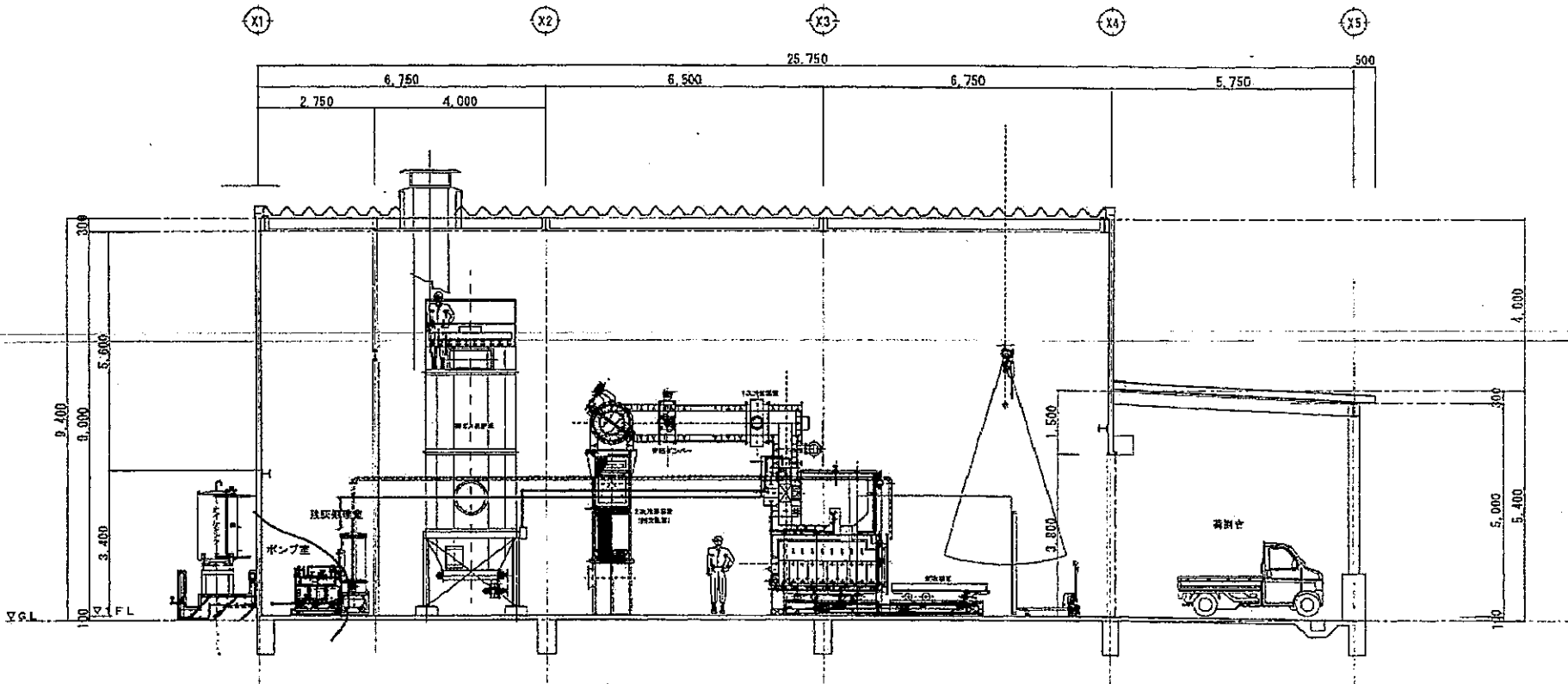
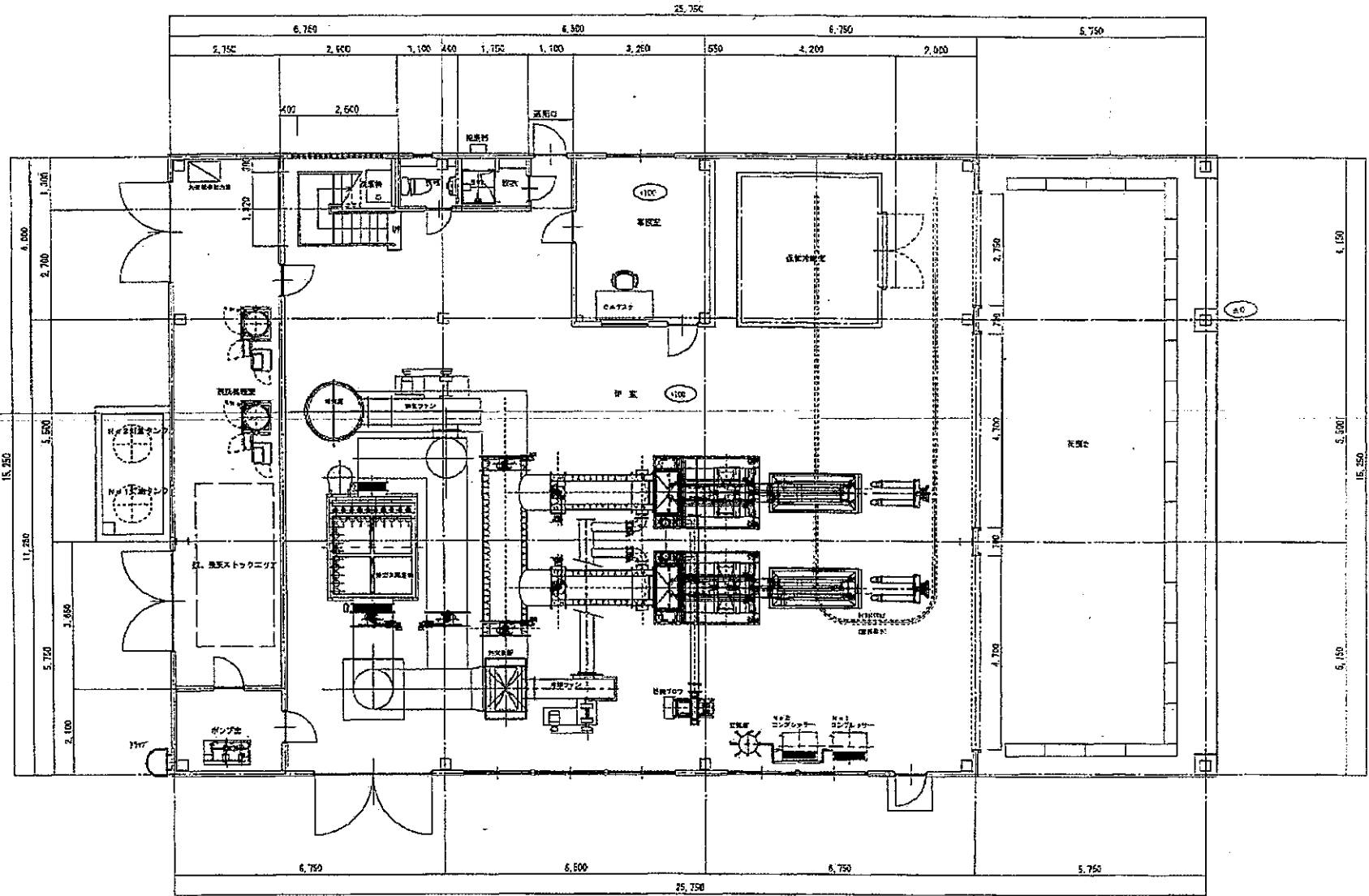


資料 3



REVISION	APPRO.	DESIGN.	DATE	JOB NAME 本邦官製船隻修理計画	TITLE 立見図 (X1-X5)	NO. —	SCALE 1/100 (X1-X5)	DATE —	DRAWN —
	DATE " " " "	DATE " " " "	DATE " " " "		DATE " " " "				

X1 X2 X3 X4 X5



1階平面図 1/100

REVISION	REV.	DATE	BY	CHECKED	DATE	BY	APPROVED	TITLE	SCALE	SHEET NO.	TOTAL SHEETS
DATE: 1977							SCALE: 1/100		SHEET NO. 1/1		